

SANS
DIGITAL | MOBILESTOR MS1CT+



QUICK INSTALLATION GUIDE - V 1.0

(1) Specifications

Application	<ul style="list-style-type: none"> • 3.5" SATA hard drive
Interface/Ports *	<ul style="list-style-type: none"> • eSATA • FireWire 800 • USB 3.0 Super Speed
Data Transfer *	<ul style="list-style-type: none"> • eSATA up to 6.0Gbps • FireWire 800 up to 800Mbps • USB 3.0 up to 5Gbps • USB 2.0 up to 480Mbps • USB 1.1 up to 12Mbps
System Requirements (PC)	<ul style="list-style-type: none"> • eSATA: Windows XP/Vista/7 • FireWire 800: Windows XP/Vista/7 • FireWire 400: Windows XP/Vista/7 • USB 2.0/3.0: Windows XP/Vista/7
System Requirements (Mac)	<ul style="list-style-type: none"> • eSATA: Mac OS 10.4 or higher • FireWire 800: Mac OS 10.2 or higher • FireWire 400: Mac OS 10.1.5 or higher • USB 2.0/3.0: Mac OS 10.4 or higher
Operating Environment	<ul style="list-style-type: none"> • Temperature: 5°C ~ 40°C • Humidity: 10%RH ~ 80%RH
Storage Environment	<ul style="list-style-type: none"> • Temperature: -20°C ~ 70°C • Humidity: 5%RH ~ 90%RH
Power Supply	Input: AC 100-240V Output: DC +12V/2A or +12V/2A, +5V/2A
Enclosure Size	Get From The Box

* Available interfaces and data transfer speeds depend on the model.

(2) Detailed View

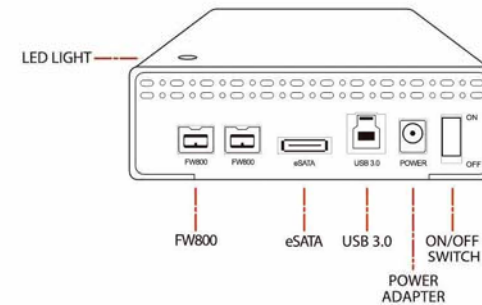
LED indicator is on top of the unit.

OFF = Power OFF

Solid Blue = Power ON, status ready

Flashing Blue = Power ON, read/write access

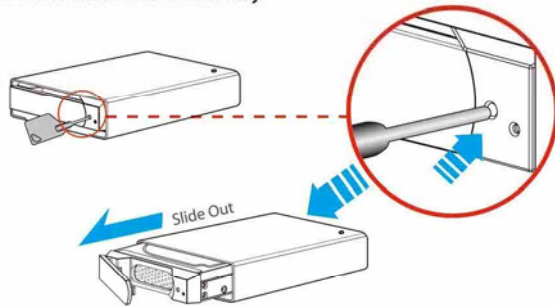
MS1CT+



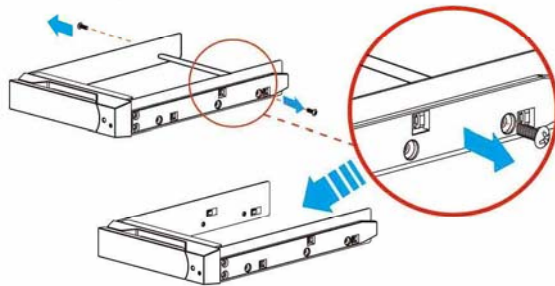
(3) Hard Drive Assembly

Note: Your unit may come with a pre-installed hard drive. If this is the case, proceed to step 5. Before opening your enclosure, please read the warranty carefully, as this could void it.

- a) Press the key into the lock hole (located on front of the unit). Pull handle & remove tray.

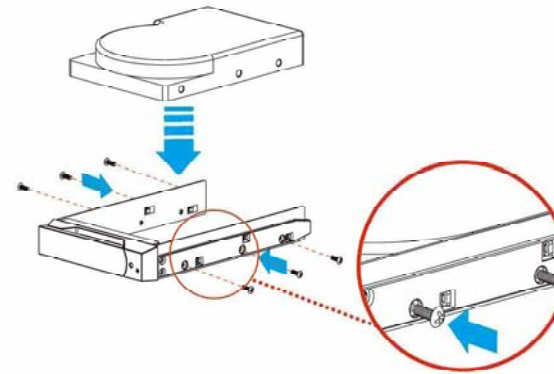


- b) Dismount the metal tray protector by removing the screws in the illustration below.

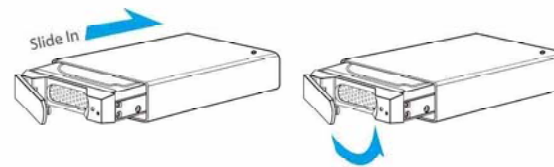


(4) Enclosure Assembly

- a) Fasten the hard drive with screws in the corresponding locations.



- b) Place the tray with the mounted hard drive back into the case. (If the screws are not properly fastened the hard disk may be pushed towards the back of the unit and the tray handle will not open properly.)



Note: Be careful not to damage any components when installing the HDD!

(5) System Set Up

If the drive has been pre-installed, you do not need to prepare anything else and can use it straight out of the box.

If you have installed the drive yourself and this is a brand new HDD, you will have to create a partition first and format the drive before it is recognised by the computer.

- a) Turn on your computer and start the system.
- b) Plug-in the external power supply, connect the MS1CT+ to the computer and turn on the power.
- c) The system will automatically mount the drive and you can access it under My Computer for the PC or on your desktop for the Mac.
- d) If the drive does not show up, make sure it has sufficient power and then use the Disk Management tool on the PC or the Disk Utility on the Mac to prepare and format the drive. Be aware that formatting the drive will erase all existing data!
- e) For the safe removal of your drive and to assure that no data is lost, always eject the external drive from your system first, before you turn it off.

Note: When not in use for longer periods of time, it is recommended to turn off the device and unplug the power supply.

(6) Safety Information

FireWire cable

When using a 6-pin FireWire cable, make sure NOT to insert the connector the wrong way (upside down), or you will damage the device!

Location and placing precautions

Do not cover the MS1CT+ and do not place the unit on other heat-sensitive equipment. Avoid positioning it in the following places:

- Locations with direct sunlight, next to radiators or other sources of heat with high temperatures (more than 35° C) or high humidity (more than 90%).
- Locations subject to vibration, shock, or with a slope.
- Do not expose the product to water or humid conditions.

Electricity and power plug

Careful attention must be paid to the following points in order to avoid operational faults and electric shock or fire:

- When removing the power cable from the socket, always pull on the plug fixture and never on the cord.
- Do not touch the power cable with wet hands.
- Never try to repair or modify the power cable yourself.
- If the unit should emit smoke, an unusual odor or noise, switch it off immediately and unplug the power cable.

Cables

Use only the cables supplied or recommended by Sans Digital in order to avoid any sort of malfunction.

(7) FAQ

Q: What file system should I use to format the drive?

A: This will depend on how you want to use the drive but in general, we recommend:

- Windows 2000/XP/Vista/7 --> NTFS
- Mac OS X --> HFS+ (Mac OS Extended)
- Others and to use it on both PC and Mac --> FAT32

Q: Can I use my device with bus power only?

A: No, an external power supply is always required.

Q: Can I use more than one interface at the same time?

A: No, only one interface can be used at any given time.
Disconnect the previous cable before connecting the new one.